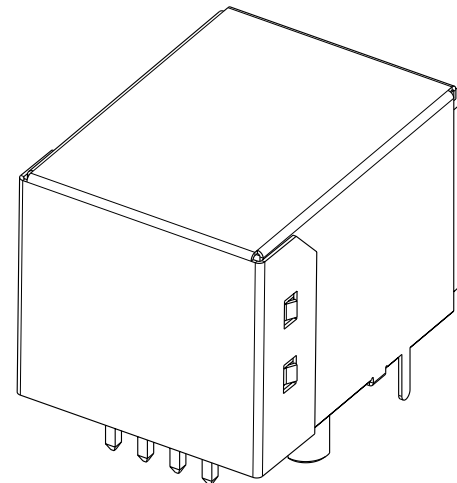
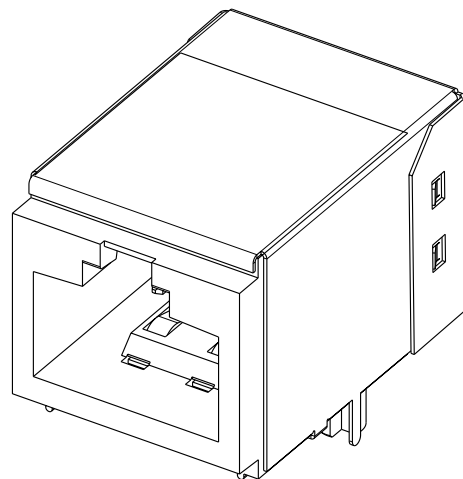


PRODUCT NUMBER

74355



rev	ecn no	dr	date
G	V91906	RGD	11/17/99
H	V00632	TFG	03/06/00
J	V02267	RGD	11/9/00
K	M05-0023	MHT	2/18/05
L	M05-0033	MHT	3/03/05
M	M06-0365	AGS	9/27/06
N	M07-0372	MHT	2007-08-21

www.fciconnect.com		surface ASM Y14.5	tolerance std ASME Y14.5	projection ASME Y14.5	INCH
		TOLERANCES UNLESS OTHERWISE SPECIFIED			
Dr	T. DIAMOND	2/24/98	ANGULAR	LINEAR	size A4
Eng	B. BRUBAKER	2/24/98	0°. ±2°	0.XX ±.01	Scale 2:1
Chr	B. BRUBAKER	7/6/98	0.XXX ±.005	0.XXXX ±.0020	ECN M07-0372
Appr	B. BRUBAKER	7/6/98	Product family		Spec ref
		2 X 4 LNL SHIELDED HEADER ASSEMBLY			dwg no 74355
catalog no		CUSTOMER		Rev. N	sheet 1 of 5

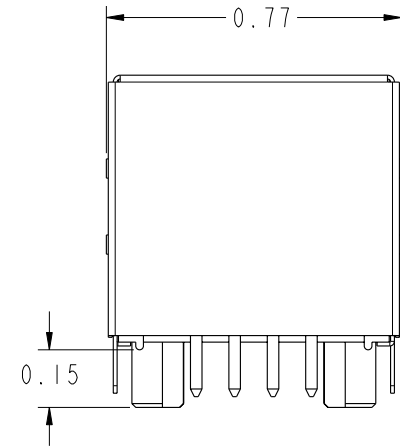
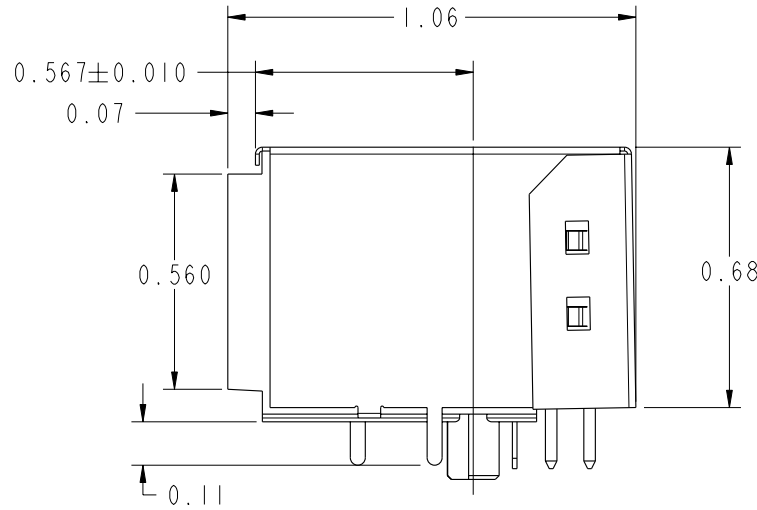
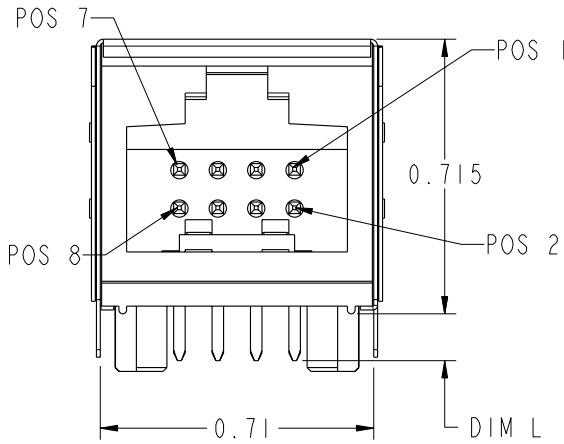
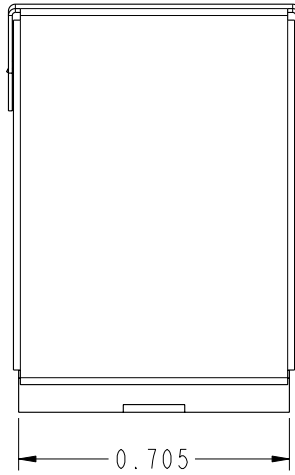


Copyright FCI.

PRODUCT NUMBER  
74355

A

B



A

B

C

D

Copyright FCI.

C

D



2 X 4 LNL SHIELDED  
HEADER ASSEMBLY

dwg no 74355

Rev. N

catalog no - CUSTOMER sheet 2 of 5

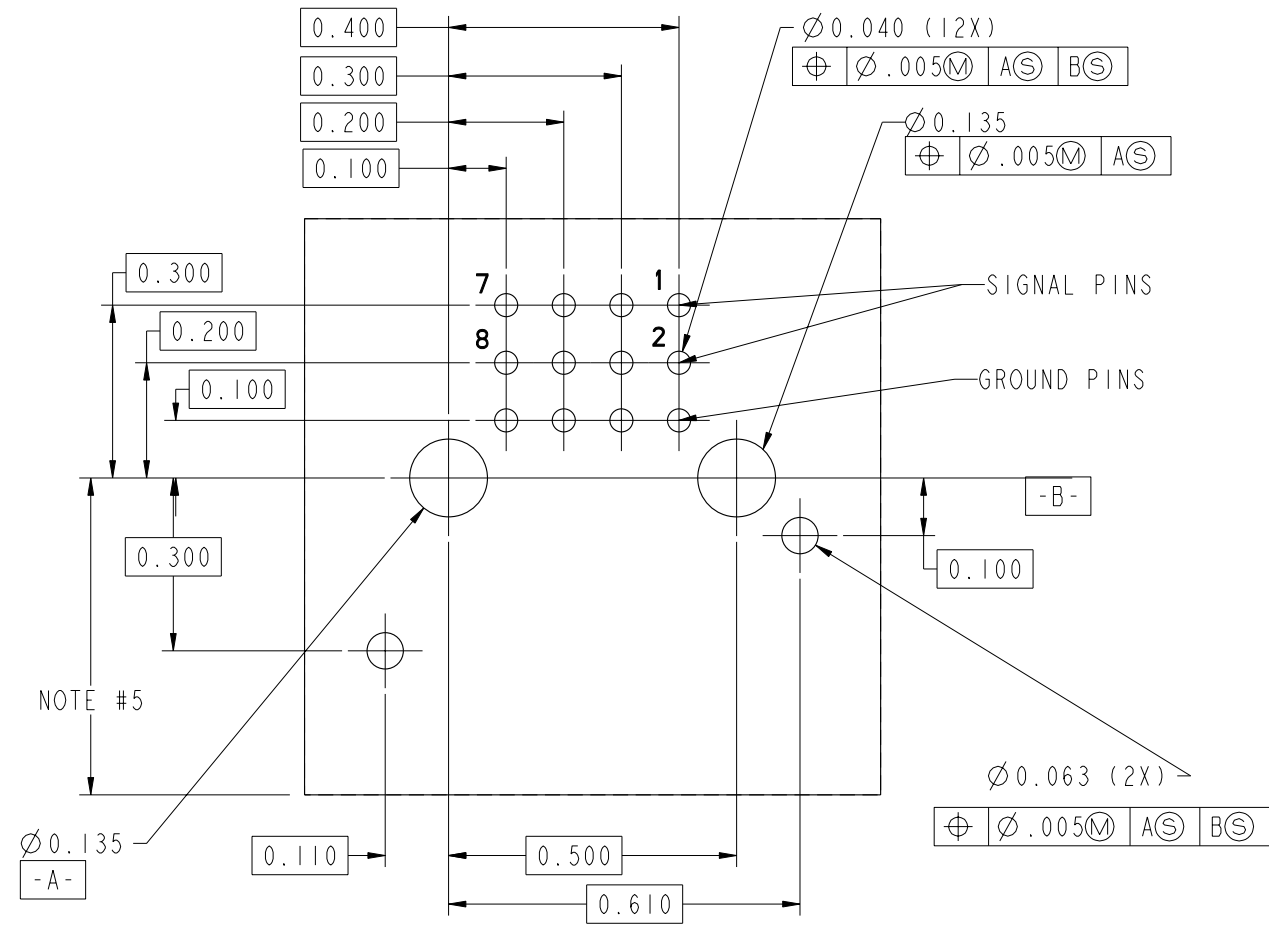
1

2

3

4

# COMPONENT SIDE



A

B

C

D

A

B

C

D

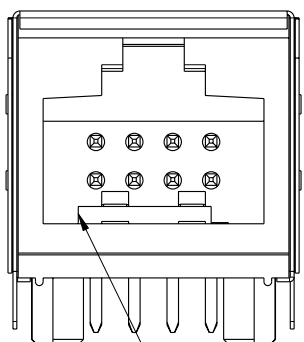


Copyright FCI.

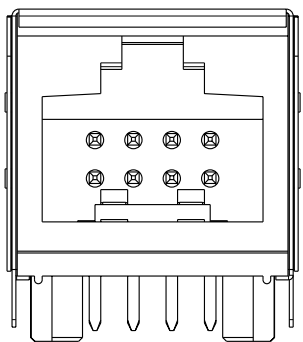
REV F - 2006-04-17



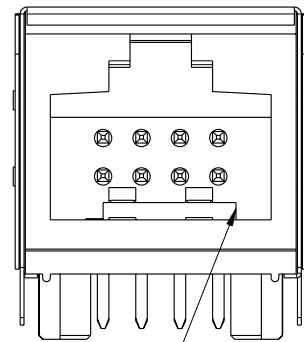
TITLE	2 X 4 LNL SHIELDED		dwg no	74355	Rev.	N
	HEADER ASSEMBLY					
catalog no		-	CUSTOMER	sheet 3 of 5		



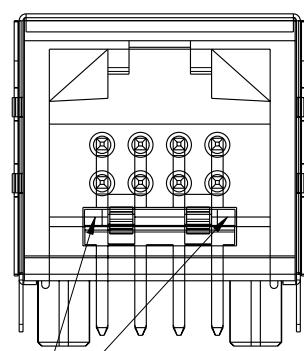
KEY POSITION 1  
SCALE 2:1



NO KEY  
SCALE 2:1



KEY POSITION 2  
SCALE 2:1



KEY POSITION 3



Copyright FCI.

	title	2 X 4 LNL SHIELDED HEADER ASSEMBLY	dwg no	74355	Rev.	N
	catalog no	-	CUSTOMER	sheet 4 of 5		

74355-XYZLF

LEAD FREE OPTION (NOTES 9 & 11)

KEY POSITION (NOTE 7)

- STD NO KEY	(NOTE 8)
1-KEY POSITION 1	(NOTE 7)
2-KEY POSITION 2	(NOTE 7)
3-KEY POSITION 3	(NOTE 7)

COLOR

01 LIGHT GRAY	--OBS.
02 OFF WHITE	
03 DARK GRAY	--OBS.
04 BLACK	
05 SLATE GRAY	--OBS.
07 SILVER GRAY	
08 PEARL WHITE	--OBS.
09 PEBBLE GRAY	

PIN LENGTH LEY (DIM L)

0	.200/5.08
1	.130/3.30

NOTES:

- HEADER SHROUD  
MAT'L: UNFILLED POLYCARBONATE,  
94V-0 RATED.
- GROUND CONTACT  
MAT'L: 3/4 HARD PHOS. BRONZE  
PLATING: 100-160 MICRO"/2.54-4.06 MICRON Sn.
- SIGNAL CONTACT  
MAT'L: 3/4 HARD PHOS. BRONZE  
PLATING: 30 MICRO"/.76 MICRON GOLD OR GXT  
OVER 50 MICRO"/1.27 MICRON NICKEL
- HEADER SHIELD  
MAT'L: FULL HARD BRASS C260  
PLATING: 100 MICRO"/2.54 MICRON BRIGHT  
TIN OVER 50 MICRO"/1.27 MICRON NICKEL
- LOCATION DIMENSION FROM EDGE OF PCB  
TO BE DETERMINED BY CUSTOMER.
- THIS ASSEMBLY IS UL RECOGNIZED PER FILE  
E66906, VOL. 1, SECT 40 AND CSA  
APPROVED PER MASTER FILE NO. LR 46923-162
- MUST USE PLUG OF THE SAME KEY.  
KEYED PLUGS WILL MATE WITH STANDARD HEADER.
- OMIT 4th DIGIT FOR STD NO KEY PRODUCT
- ADD LF SUFFIX AT THE END OF PART NUMBER FOR LEAD FREE OPTION
- THE HOUSING WILL WITHSTAND EXPOSURE TO 260°C PEAK TEMPERATURE  
FOR 15 SECONDS IN A WAVE SOLDER APPLICATION WITH A 1.5mm  
MINIMUM THICK CIRCUIT BOARD. SEE APPLICATION NOTES/PROCEDURES  
IF THEY ARE AVAILABLE.
- THIS PRODUCT MEETS EUROPEAN UNION DIRECTIVES AND OTHER  
COUNTRY REGULATION AS DESCRIBED IN GS-22-008.
- PLATING OPTIONS:  
MAY BE EITHER GOLD OR GXT PLATED AT MANUFACTURER'S OPTION.
- PART NUMBER WITH SUFFIX "A" IS CUSTOM TO INTENDED FOR FMLB.  
EXAMPLE: 74355-1041ALF



Copyright FCI.

	TITLE 2 X 4 LNL SHIELDED HEADER ASSEMBLY	dwg no 74355	Rev. N
	catalog no -	CUSTOMER	sheet 5 of 5